

Core Removal Instructions for Kenstan MEDECO Removable Core Series Locks

Kenstan MEDECO Removable Core Series Locks use a 5-pin operating key and a 4-pin "control" key.

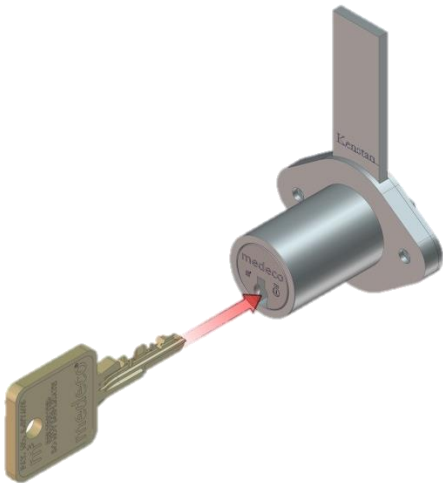
The operating key is for daily use to secure and un-lock the cylinder (pictured on the left). The key is longer and stamped at the Kenstan factory with a 4-digit keycode.

The control key is used only to remove and insert cores as required (pictured on the right). The key is shorter and stamped at the Kenstan factory with a 4-digit keycode followed by the designation "CTL".



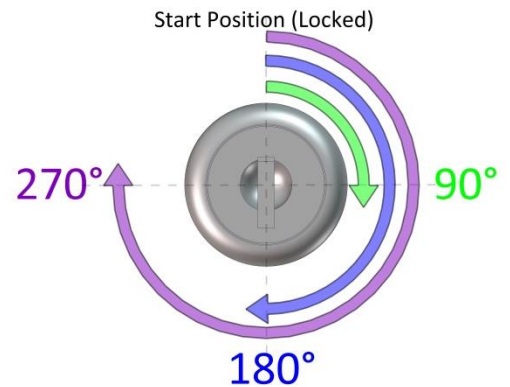
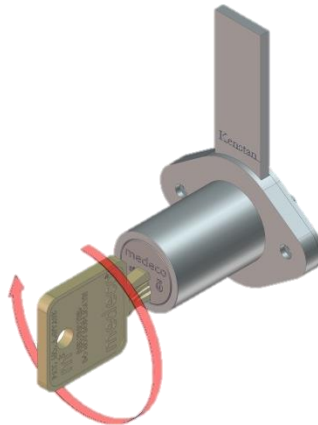
NOTE: Normal operation of the lock will not be reviewed in depth in these instructions so for our purposes we will be focusing on the 4-pin control key.

Step 1: Insert control key into lock.

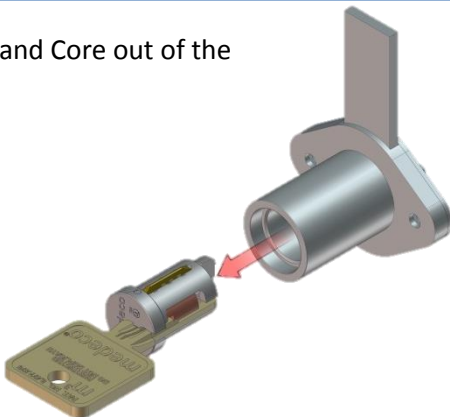


Step 2: Rotate the core 90° past the normal function of the lock and in the same direction.

i.e. If the lock normally rotates **90°** (i.e. CLR04**1203**PNNNNN) to the right to open, then rotate the key+core **180°**. For a lock that normally rotates **180°** (as shown) (i.e. CLG04**1206**PNNNNN), rotate the key+core **270°**.



Step 3: Pull Key and Core out of the lock housing.



Lock Housing Ready for Core Insertion.

